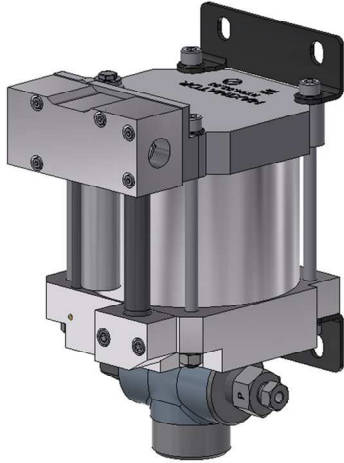
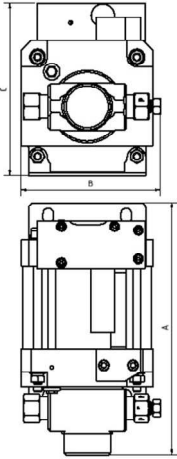


Technical Data Sheet

S250 SS

» Water service



S250-SS  
 single acting, single air drive head

**Technical Data:**

Air drive pressure:	1 - 10 bar / 14.5 - 145 psi
Calculated working pressure:	2400 bar / 34800 psi
Pressure ratio:	1:244
Displacement volume/double stroke:	2.0 cm <sup>3</sup> / 0.12 cu.inch

**Connections:**

Inlet:	1/4" BSP
Outlet:	9/16-18 UNF (4H)
Air drive:	1/2" BSP
Maximum operating temperature:	60°C
Net weight:	7 kg

Pressure and flow performances, please see enclosed graph.

**Wetted materials of construction:**

Top cap:	3.4311.01
Air cylinder:	3.3206
Seal package:	Polyurethane
Pump Body:	1.4313
HP Piston:	1.4112

**Approximate Dimensions:**

A:	259 mm
B:	143 mm
C:	177.5 mm

**Available Accessories:**

Air control units with filter pressure regulator, control pressure gauge and shut off valve:	S250-SS with C1.5
To protect the pump against excessive outlet pressures or to limit the outlet pressure, a safety valve can be fitted to the air control unit in the air drive line.	S250-SS with C1.5/SV-air (The required outlet pressure has to be indicated.)

**Please consult factory for more information.** All technical and dimensional information subject to change. All General Terms and Conditions of sale, including limitations of our liability, apply to all products and services sold.



# Leistungsdiagramm/Performance Graph S 250 SS

Prüfflüssigkeit/Test Liquid: Wasser-Öl-Emulsion/Water Oil Emulsion ca. 1 - 10 cst

Werte berechnet/ calculated values

