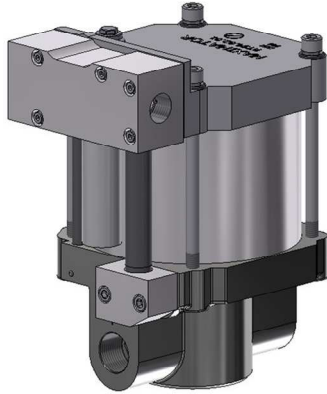
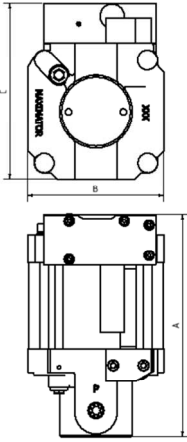


Technical Data Sheet

S100

» Oil service



S100
single acting, single air drive head

Technical Data:

| | |
|------------------------------------|------------------------------------|
| Air drive pressure: | 1 - 10 bar / 14.5 - 145 psi |
| Calculated working pressure: | 1000 bar / 14500 psi |
| Pressure ratio: | 1:108 |
| Displacement volume/double stroke: | 4.5 cm ³ / 0.27 cu.inch |

Connections:

| | |
|--------------------------------|----------|
| Inlet: | 1/2" BSP |
| Outlet: | 3/8" BSP |
| Air drive: | 1/2" BSP |
| Maximum operating temperature: | 60°C |
| Net weight: | 9.1 kg |

Pressure and flow performances, please see enclosed graph.

Wetted materials of construction:

| | |
|---------------|-------------------|
| Top cap: | 3.4311.01 |
| Air cylinder: | 3.3206 |
| Seal package: | Polyurethane, NBR |
| Pump Body: | 0.7050 |
| HP Piston: | 1.4112 |

Approximate Dimensions:

| | |
|----|--------|
| A: | 220 mm |
| B: | 135 mm |
| C: | 174 mm |

Available Options:

| | |
|--|----------|
| Special inlet and outlet ports, i.e. NPT: | S100-NPT |
| Special seal material to handle special fluids on request. | |

Available Accessories:

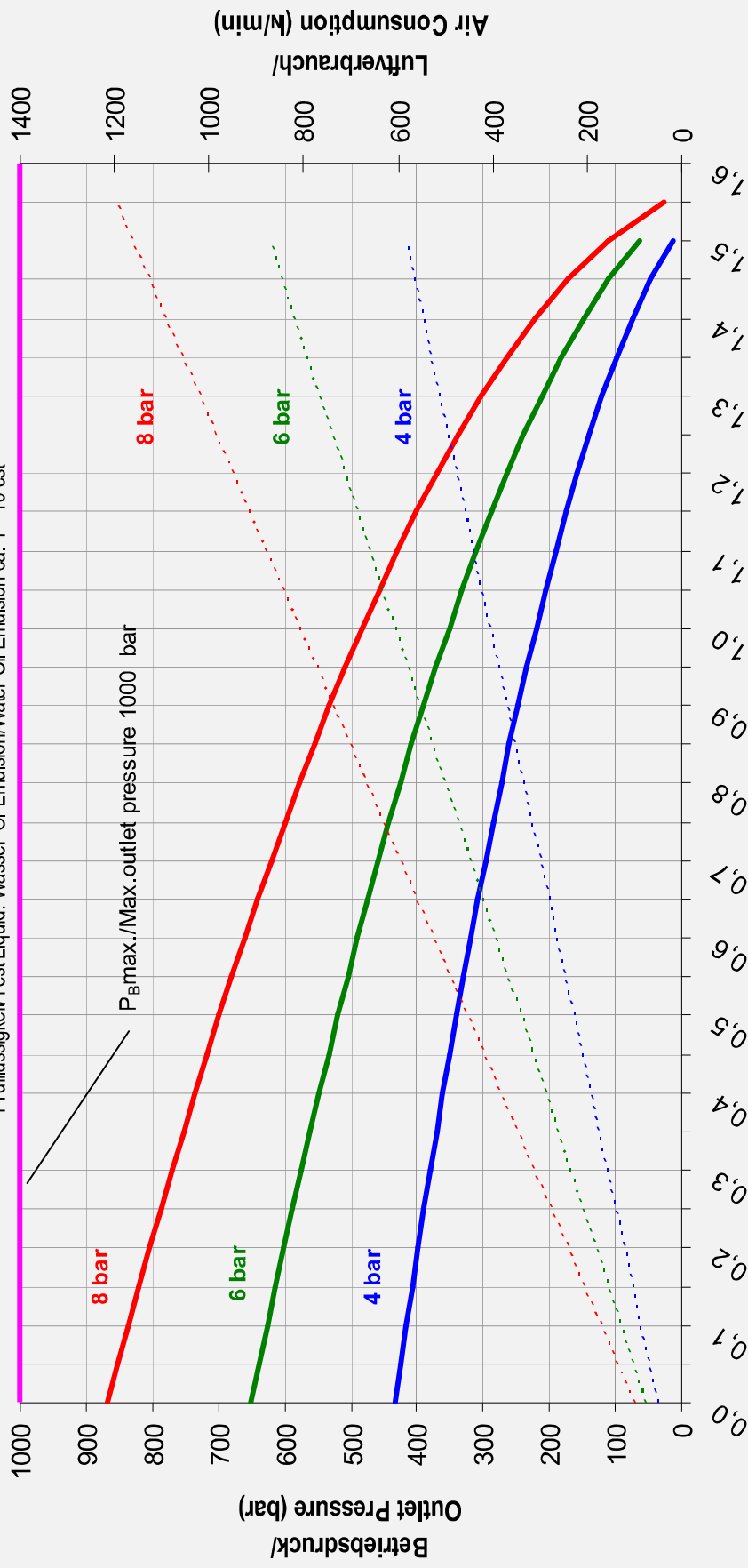
| | |
|---|---|
| Air control units with filter pressure regulator, control pressure gauge and shut off valve: | S100 with C1.5 |
| To protect the pump against excessive outlet pressures or to limit the outlet pressure, a safety valve can be fitted to the air control unit in the air drive line. | S100 with C1.5/SV-air (The required outlet pressure has to be indicated.) |

Please consult factory for more information. All technical and dimensional information subject to change. All General Terms and Conditions of sale, including limitations of our liability, apply to all products and services sold.



Leistungsdiagramm/Performance Graph S 100

Prüfflüssigkeit/Test Liquid: Wasser-Öl-Emulsion/Water Oil Emulsion ca. 1 - 10 cst



- Betriebsdruck bei/Outlet Pressure at 4 bar
- Betriebsdruck bei/Outlet Pressure at 6 bar
- Betriebsdruck bei/Outlet Pressure at 8 bar
- - - Luftverbrauch bei/Air consumption at 4 bar
- - - Luftverbrauch bei/Air consumption at 6 bar
- - - Luftverbrauch bei/Air consumption at 8 bar