



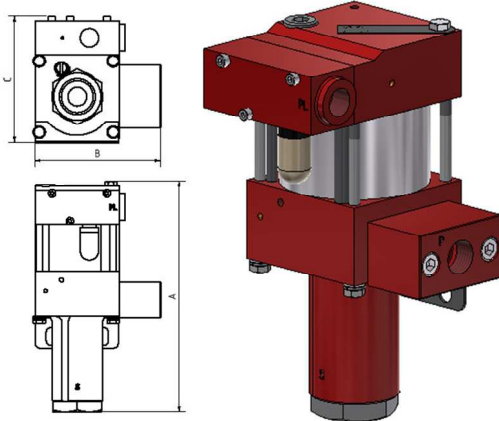
Technical Data Sheet

M8 (L)

» Oil service

M8 (L) VE

» Water service



M8 (L)
single acting, single air drive head
(Standard= Bottom inlet)

Technical Data:

Air drive pressure: 1 - 10 bar / 14.5 - 145 psi

Calculated working pressure: 90 bar / 1305 psi

Pressure ratio: 1:9

Displacement volume/double stroke: 14.7 cm³ / 0.09 cu.inch

Connections:

Inlet: Standard: Bottom Inlet 3/4" BSP

Outlet: 1/2" BSP

Air drive: 3/8" BSP

Maximum operating temperature: 60°C

Net weight: 3.0 kg

Pressure and flow performances, please see enclosed graph.

Wetted materials of construction:

Seal package: M8(L): Polyurethane, NBR
M8(L)VE: UHMWPE, FKM

Pump Body: 3.1645

Piston: 1.4112

Fittings: Inlet: 1.4305
Outlet: 3.1645

Approximate Dimensions:

A: 214 mm

B: 120 mm

C: 121 mm

Available Options:

Seal material for oil service: M8(L)

Seal material for water service: M8(L)VE

Special inlet and outlet ports, i.e. NPT: M8(L)-NPT
M8(L)VE-NPT

Special seal material to handle special fluids on request.

Available Accessories:

Air control units for M series with filter pressure regulator, control pressure gauge and shut off valve: M8(L) with C1

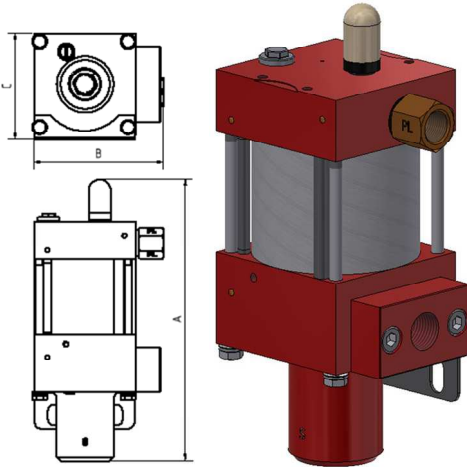
To protect the pump against excessive outlet pressures or to limit the outlet pressure, a safety valve can be fitted to the air control unit in the air drive line. M8(L) with C1/SV-air (The required outlet pressure has to be indicated.)

Please consult factory for more information. All technical and dimensional information subject to change. All General Terms and Conditions of sale, including limitations of our liability, apply to all products and services sold.

Technical Data Sheet

MO8

» Oil service



MO8
single acting, single air drive head
(Standard= Bottom inlet)

Technical Data:

Air drive pressure: 1 - 10 bar / 14.5 - 145 psi

Calculated working pressure: 90 bar / 1305 psi

Pressure ratio: 1:9

Displacement volume/double stroke: 14.7 cm³ / 0.90 cu.inch

Connections:

Inlet: Standard: Bottom Inlet 3/4" BSP

Outlet: 1/2" BSP

Air drive: 3/8" BSP

Maximum operating temperature: 60°C

Net weight: 2.5 kg

Pressure and flow performances, please see enclosed graph.

Wetted materials of construction:

Top cap: 3.1645

Air cylinder: 3.3206

Seal package: Polyurethane, NBR

Pump Body: 3.1645

Piston: 1.4112

Approximate Dimensions:

A: 223.5 mm

B: 103 mm

C: 84 mm

Available Options:

Special inlet and outlet ports, i.e. NPT: MO8-NPT

Special seal material to handle special fluids on request.

Available Accessories:

Air control units with filter pressure regulator, control pressure gauge and shut off valve: MO8 with C1

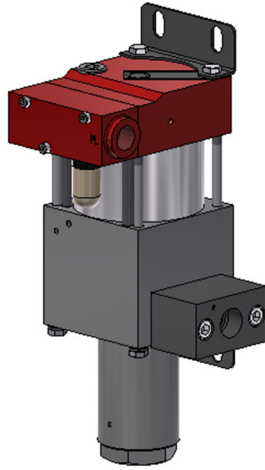
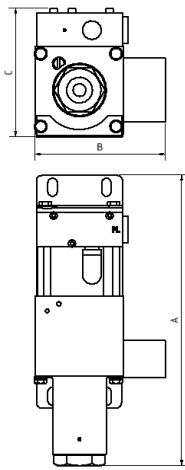
To protect the pump against excessive outlet pressures or to limit the outlet pressure, a safety valve can be fitted to the air control unit in the air drive line. MO8 with C1/SV-air (The required outlet pressure has to be indicated.)

Please consult factory for more information. All technical and dimensional information subject to change. All General Terms and Conditions of sale, including limitations of our liability, apply to all products and services sold.

Technical Data Sheet

MSF8(L)

» Special liquids



MSF8(L)

single acting, single air drive head and distance piece
(Standard= Bottom inlet)

Technical Data:

Air drive pressure: 1 - 10 bar / 14.5 - 145 psi

Calculated working pressure: 90 bar / 1305 psi

Pressure ratio: 1:9

Displacement volume/double stroke: 14.7 cm³ / 0.90 cu.inch

Connections:

Inlet: Standard: Bottom Inlet 3/4" BSP

Outlet: 1/2" BSP

Air drive: 3/8" BSP

Maximum operating temperature: 60°C

Net weight: 6.7 kg

Pressure and flow performances, please see enclosed graph.

Wetted materials of construction:

Seal package: MSF8(L): PTFE

Pump Body: 1.4404

Piston: 1.4404

Fittings: Inlet: 1.4305
Outlet: 1.4404

Approximate Dimensions:

A: 272 mm

B: 108 mm

C: 120 mm

Available Options:

Side inlet: not available

Special inlet and outlet ports, i.e. NPT: MSF8(L)-NPT

Special seal material to handle special fluids on request.

Available Accessories:

Air control units with filter pressure regulator, control pressure gauge and shut off valve: MSF8(L) with C1

To protect the pump against excessive outlet pressures or to limit the outlet pressure, a safety valve MSF8 (L) with C1/SV-air (The required outlet pressure has to be indicated.) can be fitted to the air control unit in the air drive line.

Please consult factory for more information. All technical and dimensional information subject to change. All General Terms and Conditions of sale, including limitations of our liability, apply to all products and services sold.



Leistungsdiagramm/Performance Graph M(O)(SF) 8

Prüfflüssigkeit/Test Liquid: Wasser-Öl-Emulsion/Water Oil Emulsion ca. 1 - 10 cst

