

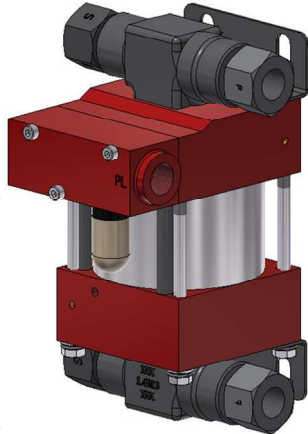
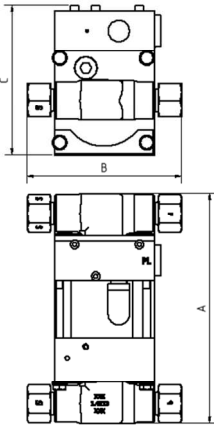
Technical Data Sheet

M72D

» Oil service

M72DVE

» Water service



M72D

double acting, single air drive head
(Standard= Side inlet)

Technical Data:

Air drive pressure:	1 - 10 bar / 14.5 - 145 psi
Calculated working pressure	860 bar / 12470 psi
Pressure ratio:	1:86
Displacement volume/double stroke:	3.8 cm ³ / 0.18 cu.inch

Connections:

Inlet:	Standard: Side Inlet 3/8" BSP
Outlet:	3/8" BSP
Air drive:	3/8" BSP
Maximum operating temperature:	60°C
Net weight:	3.7 kg

Pressure and flow performances, please see enclosed graph.

Wetted materials of construction:

Seal package:	M72D: Polyurethane M72DVE: UHMWPE, FKM
Pump Body:	1.4313
Piston:	1.4112
Fittings:	1.4104

Approximate Dimensions:

A:	185 mm
B:	124 mm
C:	120 mm

Available Options:

Seal material for oil service:	M72D
Seal material for water service:	M72DVE
Liquid inlet:	Standard: side inlet, bottom inlet not available
Special inlet and outlet ports, i.e. NPT:	M72D-NPT M72DVE-NPT
Special seal material to handle special fluids on request.	

Available Accessories:

Air control units for M series with filter pressure regulator, control pressure gauge and shut off valve: M72D with C1

To protect the pump against excessive outlet pressures or to limit the outlet pressure, a safety valve M72D with C1/SV-air (The required outlet pressure has to be indicated.) can be fitted to the air control unit in the air drive line.

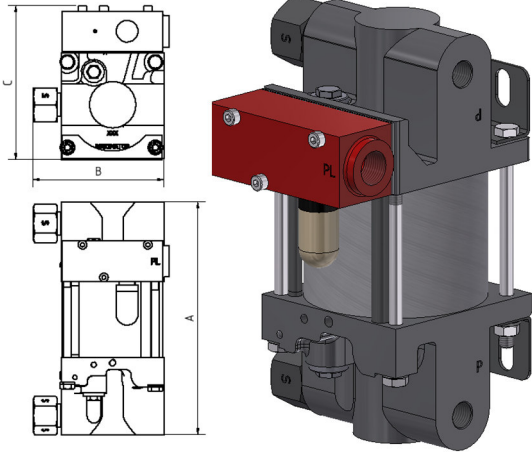
Please consult factory for more information. All technical and dimensional information subject to change. All General Terms and Conditions of sale, including limitations of our liability, apply to all products and services sold.



Technical Data Sheet

MO72D

» Oil service



MO72D
double acting, single air drive head
(Standard= Side inlet)

Technical Data:

Air drive pressure:	1 - 10 bar / 14.5 - 145 psi
Calculated working pressure:	860 bar / 12473 psi
Pressure ratio:	1:86
Displacement volume/double stroke:	3.0 cm ³ / 0.18 cu.inch

Connections:

Inlet:	3/8" BSP
Outlet:	1/4" BSP
Air drive:	3/8" BSP
Maximum operating temperature:	60°C
Net weight:	4.5 kg

Pressure and flow performances, please see enclosed graph.

Wetted materials of construction:

Top cap:	0.7050
Air cylinder:	3.3206
Seal package:	Polyurethane, NBR
Pump Body:	0.7050
Piston:	1.4112

Approximate Dimensions:

A:	185.5 mm
B:	108 mm
C:	122.5 mm

Available Options:

Special inlet and outlet ports, i.e. NPT:	MO72D-NPT
Special seal material to handle special fluids on request.	

Available Accessories:

Air control units with filter pressure regulator, control pressure gauge and shut off valve:	MO72D with C1
To protect the pump against excessive outlet pressures or to limit the outlet pressure, a safety valve can be fitted to the air control unit in the air drive line.	MO72D with C1/SV-air (The required outlet pressure has to be indicated.)

Please consult factory for more information. All technical and dimensional information subject to change. All General Terms and Conditions of sale, including limitations of our liability, apply to all products and services sold.



Leistungsdiagramm/Performance Graph M(O) 72 D

Prüfflüssigkeit/Test Liquid: Wasser-Öl-Emulsion/Water Oil Emulsion ca. 1 - 10 cst

