

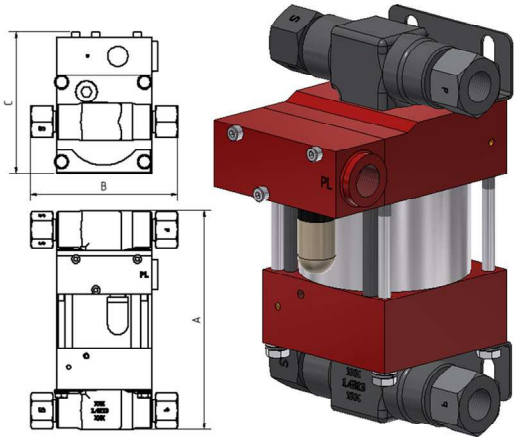
## Technical Data Sheet

M37D

» Oil service

M37DVE

» Water service



M37D

double acting, single air drive head  
(Standard= Side inlet)

### Technical Data:

Air drive pressure:	1 - 10 bar / 14.5 - 145 psi
Calculated working pressure:	460 bar / 6670 psi
Pressure ratio:	1:46
Displacement volume/double stroke:	5.6 cm <sup>3</sup> / 0.34 cu.inch

### Connections:

Inlet:	Standard: Side Inlet 3/8" BSP
Outlet:	3/8" BSP
Air drive:	3/8" BSP
Maximum operating temperature:	60°C
Net weight:	3.7 kg

Pressure and flow performances, please see enclosed graph.

### Wetted materials of construction:

Seal package:	M37D: Polyurethane M37DVE: UHMWPE, FKM
Pump Body:	1.4313
Piston:	1.4112
Fittings:	1.4104

### Approximate Dimensions:

A:	185 mm
B:	124 mm
C:	120 mm

### Available Options:

Seal material for oil service:	M37D
Seal material for water service:	M37DVE
Liquid inlet:	Standard: side inlet, bottom inlet not available
Special inlet and outlet ports, i.e. NPT:	M37D-NPT M37DVE-NPT
Special seal material to handle special fluids on request.	

### Available Accessories:

Air control units for M series with filter pressure regulator, control pressure gauge and shut off valve: M37D with C1

To protect the pump against excessive outlet pressures or to limit the outlet pressure, a safety valve can be fitted to the air control unit in the air drive line. M37D with C1/SV-air (The required outlet pressure has to be indicated.)

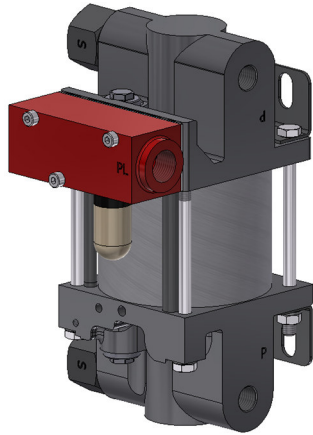
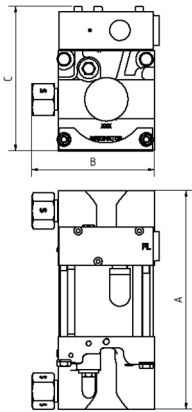
**Please consult factory for more information.** All technical and dimensional information subject to change. All General Terms and Conditions of sale, including limitations of our liability, apply to all products and services sold.



**Technical Data Sheet**

**MO37D**

» Oil service



MO37D  
 double acting, single air drive head  
 (Standard= Side inlet)

**Technical Data:**

Air drive pressure:	1 - 10 bar / 14.5 - 145 psi
Calculated working pressure:	460 bar / 6671 psi
Pressure ratio:	1:46
Displacement volume/double stroke:	5.6 cm <sup>3</sup> / 0.34 cu.inch

**Connections:**

Inlet:	3/8" BSP
Outlet:	1/4" BSP
Air drive:	3/8" BSP
Maximum operating temperature:	60°C
Net weight:	4.5 kg

Pressure and flow performances, please see enclosed graph.

**Wetted materials of construction:**

Top cap:	0.7050
Air cylinder:	3.3206
Seal package:	Polyurethane, NBR
Pump Body:	0.7050
Piston:	1.4112

**Approximate Dimensions:**

A:	185.5 mm
B:	108 mm
C:	122.5 mm

**Available Options:**

Special inlet and outlet ports, i.e. NPT:	MO37D-NPT
Special seal material to handle special fluids on request.	

**Available Accessories:**

Air control units with filter pressure regulator, control pressure gauge and shut off valve:	MO37D with C1
To protect the pump against excessive outlet pressures or to limit the outlet pressure, a safety valve can be fitted to the air control unit in the air drive line.	MO37D with C1/SV-air (The required outlet pressure has to be indicated.)

**Please consult factory for more information.** All technical and dimensional information subject to change. All General Terms and Conditions of sale, including limitations of our liability, apply to all products and services sold.



# Leistungsdiagramm/Performance Graph M(O) 37 D

Prüfflüssigkeit/Test Liquid: Wasser-Öl-Emission/Water Oil Emulsion ca. 1 - 10 cst

