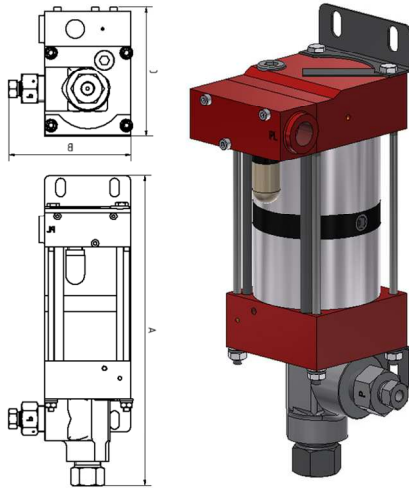


Technical Data Sheet

M111-2 (L)

» Oil and Water service



M111-2 (L)
single acting, double air drive head
(Standard= Bottom inlet)

Technical Data:

Air drive pressure: 1 - 10 bar / 14.5 - 145 psi

Calculated working pressure: 2500 bar / 36250 psi

Pressure ratio: 1:261

Displacement volume/double stroke: 1.0 cm³ / 0.06 cu.inch

Connections:

Inlet: Standard: Bottom Inlet
1/4" BSP

Outlet: 9/16-18UNF

Air drive: 3/8" BSP

Maximum operating temperature: 60°C

Net weight: 3.9 kg

Pressure and flow performances, please see enclosed graph.

Wetted materials of construction:

Seal package: M111-2(L): Polyurethane

Pump Body: 1.4313

Piston: Hard metal

Fittings: 1.4542

Approximate Dimensions:

A: 289 mm

B: 115 mm

C: 120 mm

Available Options:

Side inlet: M111-2(L)S

Special inlet ports, i.e. NPT: M111-2(L)-NPT

Special seal material to handle special fluids on request.

Available Accessories:

Air control units for M series with filter pressure regulator, control pressure gauge and shut off valve: M111-2(L) with C1

To protect the pump against excessive outlet pressures or to limit the outlet pressure, a safety valve M111-2(L) with C1/SV-air (The required outlet pressure has to be indicated.) can be fitted to the air control unit in the air drive line.

Please consult factory for more information. All technical and dimensional information subject to change. All General Terms and Conditions of sale, including limitations of our liability, apply to all products and services sold.



Leistungsdiagramm/Performance Graph M 111 -2L

Prüfflüssigkeit/Test Liquid: Wasser-Öl-Emulsion/Water Oil Emulsion ca. 1 - 10 cst

